



## Innovating the Future of RV POWER

### WF-9800-AD DECK MOUNT CONVERTER CHARGER SERIES



# AUTO-DETECT Power Choices that Fit EVERYWHERE



- Model WF-9835-AD - Output: 35 amps DC - Input: 105-130 V AC, 60 Hz, 600 W
- Model WF-9845-AD - Output: 45 amps DC - Input: 105-130 V AC, 60 Hz, 770 W
- Model WF-9855-AD - Output: 55 amps DC - Input: 105-130 V AC, 60 Hz, 940 W
- Model WF-9865-AD - Output: 65 amps DC - Input: 105-130 V AC, 60 Hz, 1110 W
- Model WF-9875-AD - Output: 75 amps DC - Input: 105-130 V AC, 60 Hz, 1280 W

The WF-9800-AD Series now includes an industry-first, Patent Pending Auto-Detect technology. This new microprocessor-driven technology will recognize Lithium-Ion and Lead-Acid battery chemistries and automatically adjust the charging profile to match the battery type.

No more buttons. No more switches. An accurately charged battery gives RV owners peace of mind. Eliminating the risk of over and under-charging the WF-9800-AD will maximize your battery life with multi-stage charging and current monitoring in both Lead-Acid and Lithium-Ion profiles.

#### PRODUCT FEATURES



Quiet operation is assured as the cooling fan runs only when needed.



WFCO Technologies is the leader in the RV industry's manufacturing, distribution, and servicing of power conversion products preferred more than 4-to-1 by RV manufacturers.



WF-9800-AD converters are available in more size and power choices than other brands. Manufacturers can match the exact needs of every RV, saving space and cost.



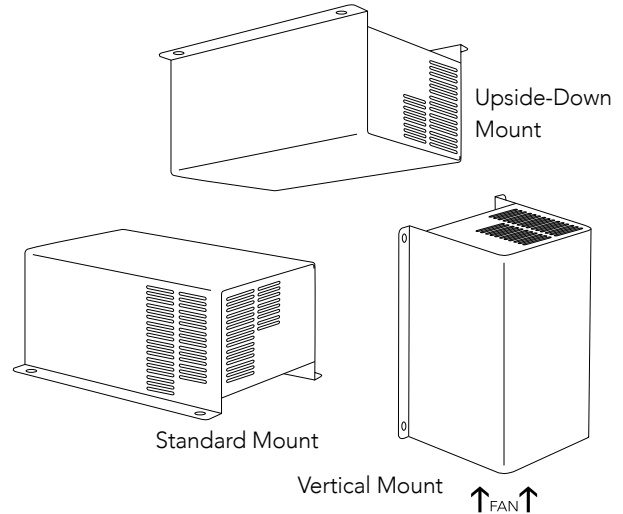
## THE BATTERY GUARDIAN™

The WF-9800-AD Series has optimized charging for battery chemistry in the unit. For Lead-Acid Batteries, WFCO's automatic three-stage converter handles every charging need for the RV while extending the battery's life. For Lithium-Ion Batteries, the multi-stage process ensures a safe operating voltage for all loads, replaces energy in the battery, and assures the Lithium-Ion cells inside the battery remain balanced. See [wfcoelectronics.com](http://wfcoelectronics.com) for details.



## EASY INSTALLATION

WFCO works with installers every day to streamline installation and reduce time



This versatile deck mount converter can be installed in any position, making RV design more flexible for manufacturers. Mount the converter vertically with the fan at the bottom to enhance cooling. WF-9800-AD Series converter features easy horizontal installation and can install upside down.

WFCO makes fully insulated connections for protection with an open-top design for ease of use for fast and nearly effortless installation.

SPECIFICATIONS	WF-9835-AD	WF-9845-AD	WF-9855-AD	WF-9865-AD	WF-9875-AD
Power Input	600 W	770 W	940 W	1110 W	1280 W
Input Voltage	105 V AC - 130 V AC / 60 Hz				
Output Current (LA/LI)	35 A / 32.5 A	45 A / 44.5 A	55 A / 50 A	65 A / 60 A	75 A / 70 A
Converter Type (LA/LI)	3 Stage Converter Charger / 2 Stage Converter Charger				
Voltage Output (LA/LI)	13.2 - 14.4 V DC / 13.6 - 14.6 V DC				
Normal mode	13.6 V DC				
Trickle charge mode (LA Only)	13.2 V DC				
Bulk charge mode (LA/LI)	14.4 V DC / 14.6 V DC				
Outer Dimensions	4 5/8"W x 7 1/2"L x 4"H	4 3/4"W x 8 3/4"L x 4"H	5 1/8"W x 10 1/4"L x 4"H		
Weight	4 lb	5.25 lb	5.5 lb	6.25 lb	6.75 lb

Certifications: UL® and cUL® listed and FCC Class B compliant. Specifications are subject to change without notice or obligation.  
 ALL MODELS: Standard Safety Features/Protections: Over Current, Over Temperature, Over Voltage, Reverse Polarity  
 Installation: Case Material: Metal, Color: Gray



Our Power Pros provide expert technical support for everything the RV industry needs. Visit [wfcoelectronics.com/support](http://wfcoelectronics.com/support).